



## SLOT BLOCK CELL SPECIFICATIONS

Full Scale Output	2.5 mV/V T or C 1.5 mV/V T and C
Excitation Voltage	5 - 12 VDC
Bridge Resistance	350 Ohms
Safe Overload	5x F.S.O.
Fatigue Life	1x10 <sup>6</sup> cycles at 75% capacity
Materials	Stainless Steel

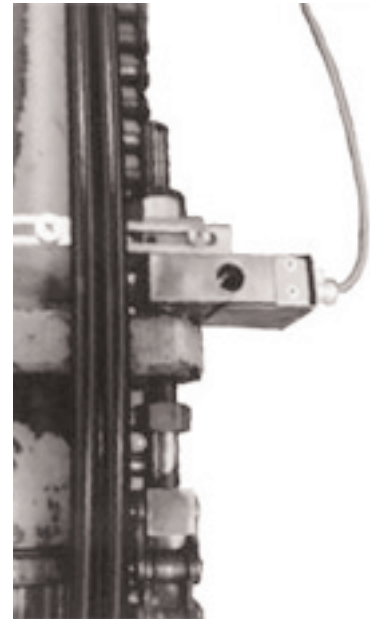
### Error - Center Loading

Total Error	<0.15-+% of F.S.O.
Nonlinearity	0.03 % of F.S.O.
Hysteresis	0.07 % of F.S.O.
Repeatability	0.05 % of F.S.O.

### Error - Off Axis Loading

Off-axis 3 inches off center of mount in any direction.  
(includes point loading on surface)

Total Error	0.3 % of F.S.O.
Three inches off center of mount with 2 degree tilt, Total Error	0.5 % of F.S.O.

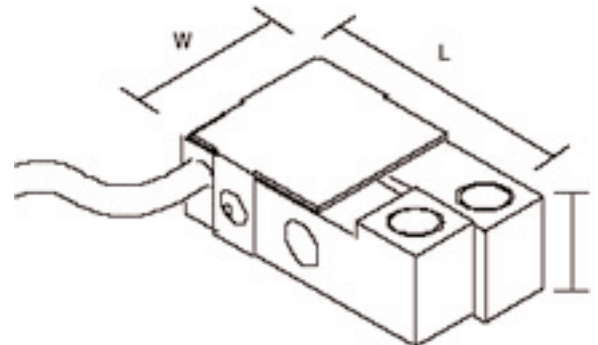


### AVAILABLE OPTIONS

- Threaded holes for mounting or tensile applications
- Built in boss stop for safe overload up to 15 X
- Custom Capacity and Shape
- Temperature compensation
- Low cost aluminum load cells

### STANDARD DIMENSIONS (with cover)

Model Number	Capacity (lbs)	Length	Width	Height
HSB-300	300	1.47"	.935"	.525"
HSB-1,000	1,000	1.47"	.935"	.525"
HSB-2500	2,500	2.935"	1.861"	1.632"
HSB-5000	5,000	2.935"	1.861"	1.632"



*Consult factory for additional sizes and capacities.*